

MANIACCESS

120 AETJ C
120 AETJ C 3D

Self-propelled electric articulating boom lift

- Working height : 11.95 m
- Maximum outreach : 7.00 m
- Up and over : 4.77 m
- Overall width : 1.20 m
- 3D option : Jib rotation



COMPACT

 **MANITOU**

120 AETJ C Compact 120 AETJ C 3D Compact



Working height	11.95 m
Platform height	9.95 m
Horizontal outreach	7.00 m
Up and over height	4.77 m
Jib movement	+70° / -70°
Option 3D	+70° / -70°
Basket rotation	140°
Turret rotation	350°



Platform capacity	200 kg/2 peoples
External use	45 km/h (Maximum allowed wind speed)
Basket size	1.20 x 0.96 m



Width	1.20 m
Length	5.48 m
Stowed length (storage)	3.74 m
Height	1.99 m
Stowed height (storage)	2.16 m



Turning radius inside	1.55 m
Turning radius outside	3.25 m
Turning radius outside (basket)	3.34 m
Ground clearance	0.10 m
Wheel base	1.65 m
Drive speed	6.0 km/h
Working speed	0.6 km/h



Gradeability	25%
Maximum slope accepted	5% or 3°



Weight	6 550 kg
---------------------	----------



Tires	0.60 x 0.19 m
Wheel steer	2 (front)
Wheel drive	2 (back)



Batteries	300 Ah / 2x24 V
Battery charger	45 Ah/48 V

Standard equipment

- Electrical battery traction
- Negative brakes
- Lifting brackets
- Hour meter
- Warning buzzer in the basket
- 220 V predisposal
- Voltage indicator
- Safety manual pump
- Basket with mesh floor
- Bus CAN technology
- Diagnostic help integrated
- Dual electrical motors
- Rubber and no marking tires
- Anti-roll system
- Integrated charger

Options

- Jib rotation (3D)

- High capacity battery (360 Ah)
- Dual voltage charger 110 V / 230 V
- Working lights
- Electric plug in the platform with circuit breaker (230 V)
- Flashing light
- Drive alarm
- All motion alarm
- Cold conditions -25°C
- Air predisposal
- Water predisposal
- Specific painting
- Biodegradable oil

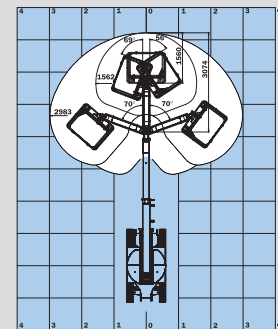
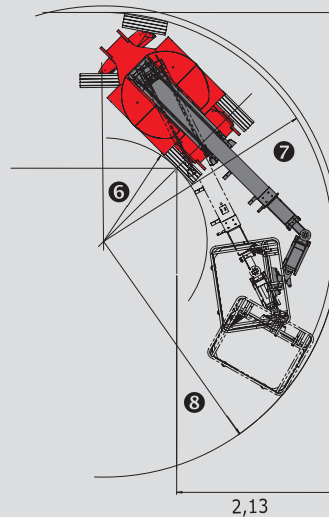
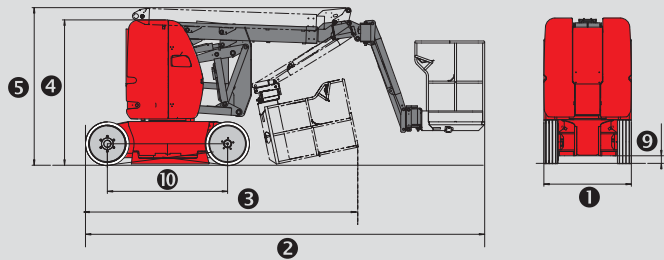
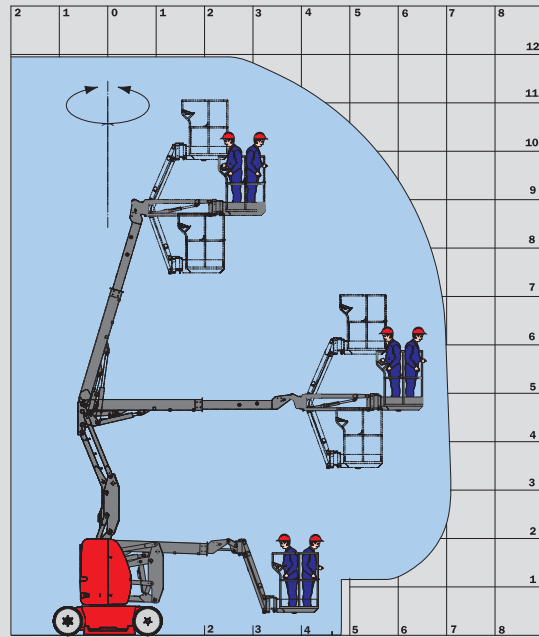
The equipment supplied with each model may differ from that described in this leaflet.
For more details, contact your MANITOU dealer.



MANITOU BF SA

B.P. 249 - 44158 Ancenis Cedex - France
Tél. : 33 2 40 09 10 11 / Export Department Fax : 33 2 40 09 10 97
www.manitou.com

700364EN



Option 3D : Jib rotation

