

Technical sheet

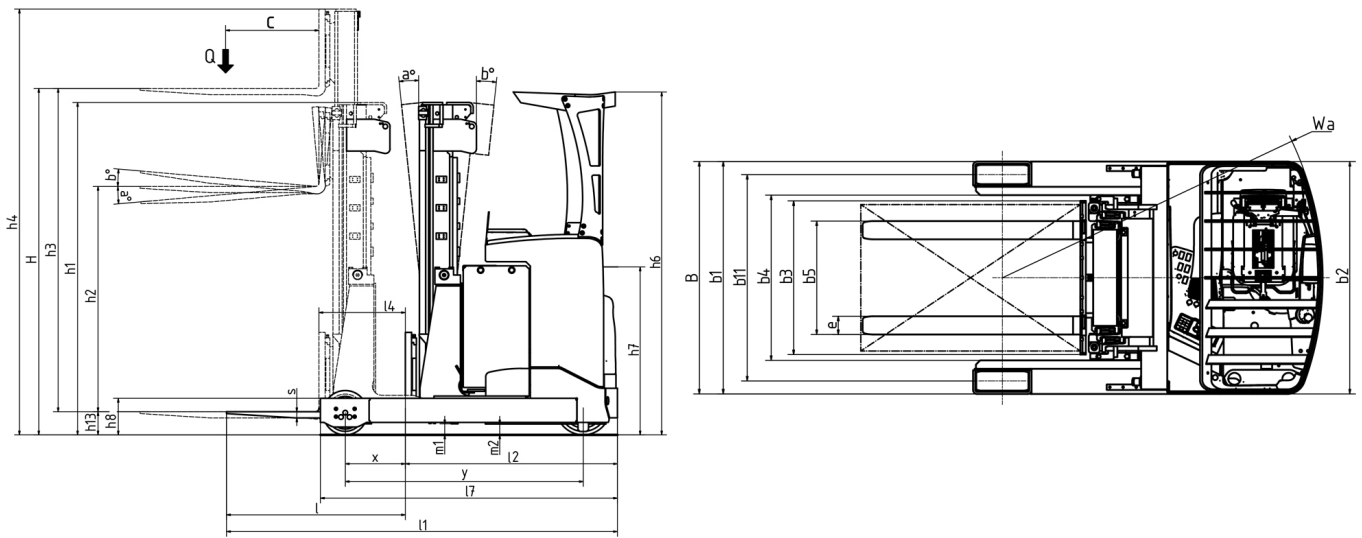
ER 20 HD

Warehousing Equipment

	Technical characteristics	Metric	Imperial
1.1	Manufacturer	Manitou	Manitou
1.2	Model	ER 20 HD	ER 20 HD
1.3	Type of traction	Electric	Electric
1.4	Type of operation	Seated	Seated
1.5	Q - Rated capacity	2000 kg	4409 lbs
1.6	c - Center of gravity of load	600 mm	0 in
1.9	y - Wheelbase	1530 mm	60 in
	Weight		
2.1	Weight of truck in working order	4150 kg	9149 lbs
2.3	Unladen weight on front/rear axle	2400 kg / 1750 kg	5291 lbs / 3858 lbs
	Wheels		
3.1	Tyre equipment: bandage (V), PPS (SE), inflatable tyre (L)	Cellular solid cushion	Cellular solid cushion
3.2	Size of front wheels	355 x 155	355 x 155
3.3	Size of rear wheels	285 x 105	285 x 105
3.5	Number of front wheels (x)	1x / 2	1x / 2
3.6	b10 - Front track	0 mm	0 in
3.7	b11 - Rear track	1.13 mm	3.80 in
	Dimensions		
4.1	α / β - Front/Rear mast angle	1° / 3°	1° / 3°
4.2	h1 - Height (mast lowered)	2960 mm	117.60 in
4.3	h2 - Free lift	2420 mm	85.32 in
4.4	h3 - Lift height (Duplex mast)	6350 mm	250.80 in
4.5	h4 - Height of extended mast	6930 mm	273.60 in
4.7	h6 - Height of driver protection (cab)	2200 mm	86.40 in
4.8	h7 - Height of seat	1080 mm	43.20 in
4.19	l1 - Total length	2490 mm	97.20 in
4.20	l2 - Length to fork heel	1340 mm	54 in
4.21	Overall length - Single/twinned wheels	1397 mm / -	55.20 in / -
4.22	e / s / l - Fork dimensions	1150 x 100 x 40	37.72 x 3.3 x 1.3
4.23	Fork carriage to DIN 15173 A/B	2A	2A
4.24	b3 - Width of fork clamp	830 mm	33.60 in
4.31	m1 - Ground clearance under mast	71 mm	3.60 in
4.33	Ast - Aisle width for 1000 x 1200 pallet widthwise	2790 mm	109.20 in
4.34	Ast - Aisle width for 800 x 1200 pallet lengthwise	2830 mm	111.60 in
4.35	Wa - Turning radius	1750 mm	69.60 in
	Performances		
5.1	Speed of travel laden / unladen	14.30 km/h / 14.50 km/h	8.90 mph / 9 mph
5.2	Lifting speed laden / unladen	0.37 m/s / 0.63 m/s	1.21 ft/s / 2.07 ft/s
5.3	Lowering speed laden / unladen	0.55 m/s / 0.43 m/s	1.80 ft/s / 1.41 ft/s
5.7	Maximum ramp laden / unladen	6.30 % / 9.40 %	6.30 % / 9.40 %
5.10	Service brake	Electromagnetic	Electromagnetic
	Engine		
6.1	Drive motor power rating	7.20 kW	7.20 kW
6.2	Lift motor power	15 kW	15 kW
6.4	Battery voltage/capacity	48 V / 620 Ah	48 V / 620 Ah
	Miscellaneous		
8.1	Type of drive unit	Electronic	Electronic
8.2	Working hydraulic pressure for attachments	150 bar	2176 psi
8.3	Oil flow rate for attachments	25 l/min	6.60 gpm
8.4	Measured/guaranteed mean noise level at the ear of the operator	60.80 dB(A)	60.80 dB(A)

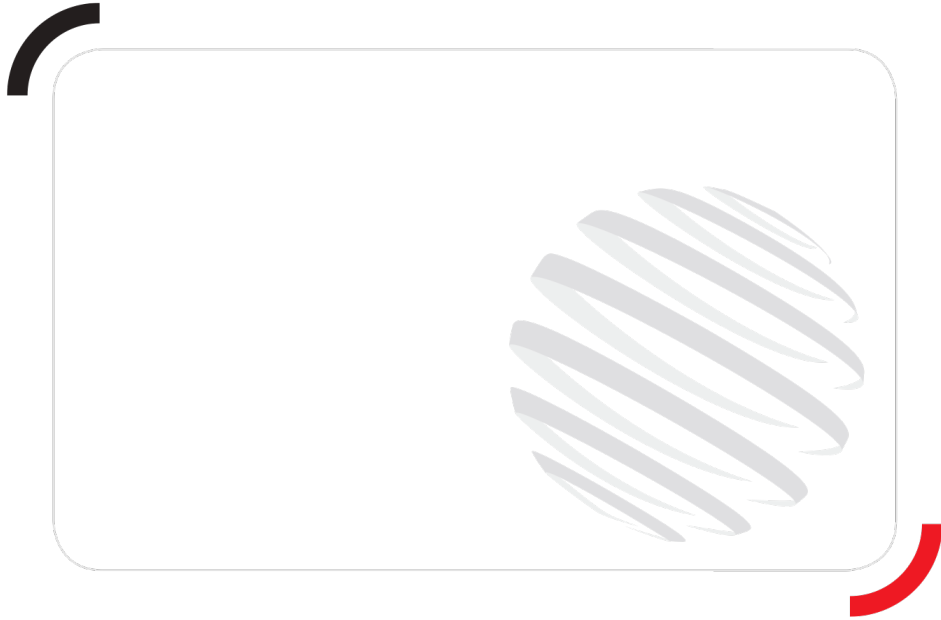
Dimensional drawings

Created on February 26, 2018 2:11 PM



Characteristics of masts and residual capacities

Triplex Free Lift		TLL64	TLL71	TLL76	TLL81	TLL85	TLL90	TLL96	TLL10	TLL11	TLL115
Lift height	mm	6350	7050	7550	8050	8500	8950	9600	10200	10800	11500
Height (mast lowered)	mm	2957	3190	3357	3523	3673	3823	4040	4240	4440	4673
Free lift	mm	2400	2650	2800	2980	3100	3280	3500	3700	3900	4100
Height of extended mast	mm	6930	7630	8130	8630	9080	9530	10180	10780	11380	12080
Residual capacity with integrated TLD	kg	1600	1600	1400	1300	1150	1000	800			
Forward/backward mast tilt angle	°	1 / 1	1 / 1	1 / 1	1 / 1	1 / 1	1 / 1	1 / 1			



Siège Social
430 rue de l'Aubinière - 44150 Ancenis Cedex - France
Tel: +33(0)2 40 09 10 11 - Fax: +33 (0)2 40 09 10 97
www.manitou.com



This brochure describes versions and configuration options for Manitou products which may be fitted with different equipment. The equipment described in this brochure may be standard, optional or not available depending on version. Manitou reserves the right to change the specifications shown and described at any time and without prior warning. The manufacturer is not liable for the specifications given. For more information, contact your Manitou dealer. Non-contractual document. Product descriptions may differ from actual products. List of specifications is not comprehensive. The logos and visual identity of the company are the property of Manitou and may not be used without authorisation. All rights reserved. The photos and diagrams contained in this brochure are provided for information only.

MANITOU BF SA - Limited company with board of directors - Share capital: 39,547,824 euros - 857 802 508 RCS Nantes