

MHT 1490


TECHNICAL DATA SHEET



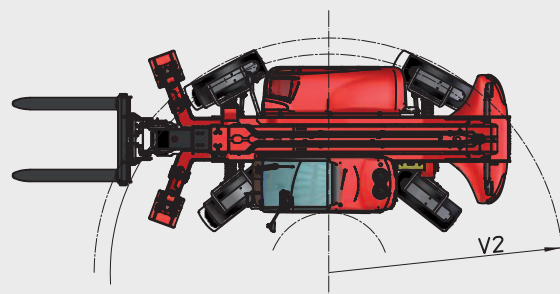
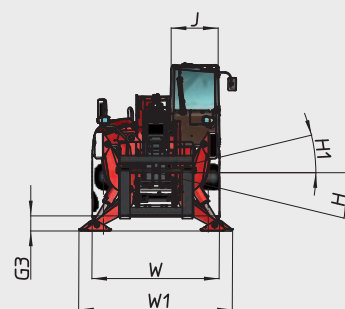
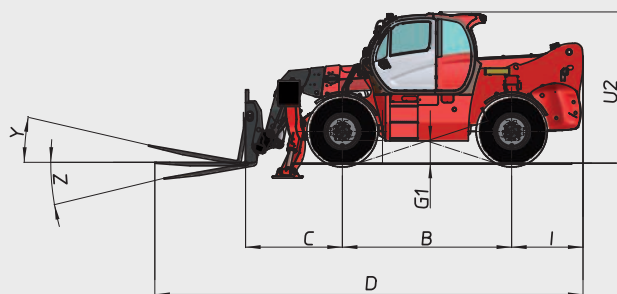
 **MANITOU**

www.manitou.com

MHT 1490

MHT 1490		
	on tyres	on stabilizers
Lifting		
Max. capacity at 600 mm LC	9000 kg	
Max. lifting height	13.65 m	14.00 m
Max. outreach	9.55 m	9.45 m
Unladen time		
Lifting	14.9 s	
Lowering	12.8 s	
Extension	18.9 s	
Retraction	10.8 s	
Tyres		
17.5 R25		
Braking		
Parking brake	Negative parking brake	
Engine		
Mercedes Stage 4 (Tier IV Final)		
Type	OM 934LA	
Cubic capacity	5100 cm ³	
Power	176 HP/129 kW	
Max. torque	750 Nm/1200-1600 rpm	
Laden drawbar pull	10900 daN	
Gradeability (laden)	34%	
Transmission		
Hydrostatic		
Reversing shift	electrohydraulic control	
Number of gears (forward/reverse)	2/2	
Max. travel speed (may vary according to applicable regulations)	40 kph	
Axle	DANA	
Steering mode	4 wheel steer 3 steering modes 	
Controls		
JSM® Joystick multi-function load limiter cut off system - EN 15000 norm		
Hydraulics		
Piston pump LS		
Load Sensing Pump	180 l/min - 300 bar	
Capacities		
Hydraulic oil	275 l	
Fuel	315 l	
Unladen weight (with forks)		
19500 kg		
Dimensions		
C. Front wheel centre to carriage	1.92 m	
B. Wheelbase	3.37 m	
I. Rear wheel centre to rear face	1.41 m	
D. Overall length to carriage	6.71 m	
G1. Ground clearance	0.44 m	
J. Overall width of cab	0.92 m	
W. Overall width	2.50 m	
W1. Overall width (stabilizers lowered)	3.03 m	
U2. Overall height	3.00 m	
Standard forks (length x width x thickness)	1200 x 200 x 60 mm	
Turning radius <i>over tyres</i> (V2)	4.01 m	
Frame levelling (H1/H)	+/- 8°	
Carriage rotation - <i>crowd/dump</i> (Y/Z)	135°	
Noise and vibration		
Noise at driving position (LpA)	82 dB	
Environmental noise (LwA)	106 dB	
Vibration to whole hand/arm	<2.5 m/s ²	

MHT 1490



mm	MHT 1490	mm	MHT 1490
A	1200	L	60
B	3370	O	200
C	1865	P2	18°
C1	1795	P3	36°
D	6655	R	3740
D1	6585	S	8550
D2	5495	T	4540
F	2065	U1	2930
F1	2065	U2	3000
G	440	V	5570
G1	440	V1	1030
G2	440	V2	4015
G3	290	W	2510
H	10	W1	3030
H1	10	W2	1280
I	1415	W3	2410
J	930	Y	28°
K	1425	Z	107°

This brochure describes versions and configuration options for MANITOU products which may be fitted with different equipment. The equipment described in this brochure may be standard, optional or not available depending on version. MANITOU reserves the right to change the specifications shown and described at any time and without prior warning. The manufacturer is not liable for the specifications given. For more information, contact your MANITOU dealer. Non-contractual document. Product descriptions may differ from actual products. List of specifications is not comprehensive. The logos and visual identity of the company are the property of MANITOU and may not be used without authorisation. All rights reserved. The photos and diagrams contained in this brochure are provided for information only.

MANITOU BF SA - Limited company with board of directors - Share capital: 39,547,824 euros - 857 802 508 RCS Nantes

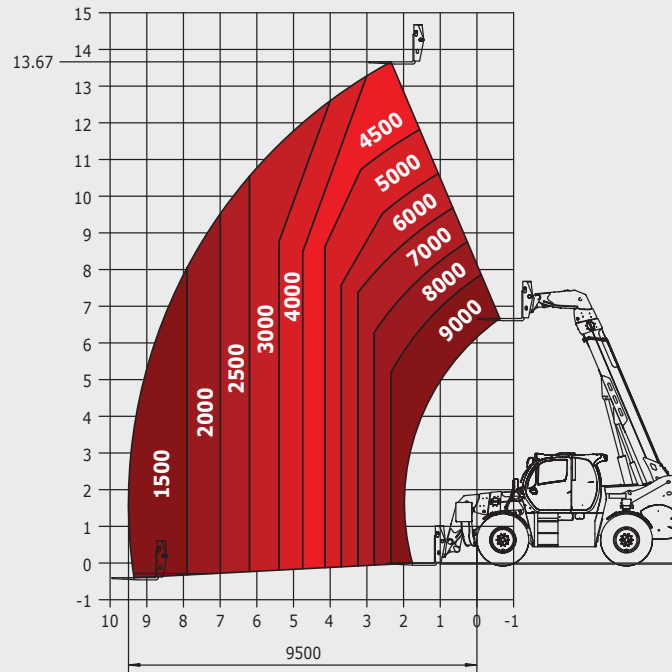


MHT 1490

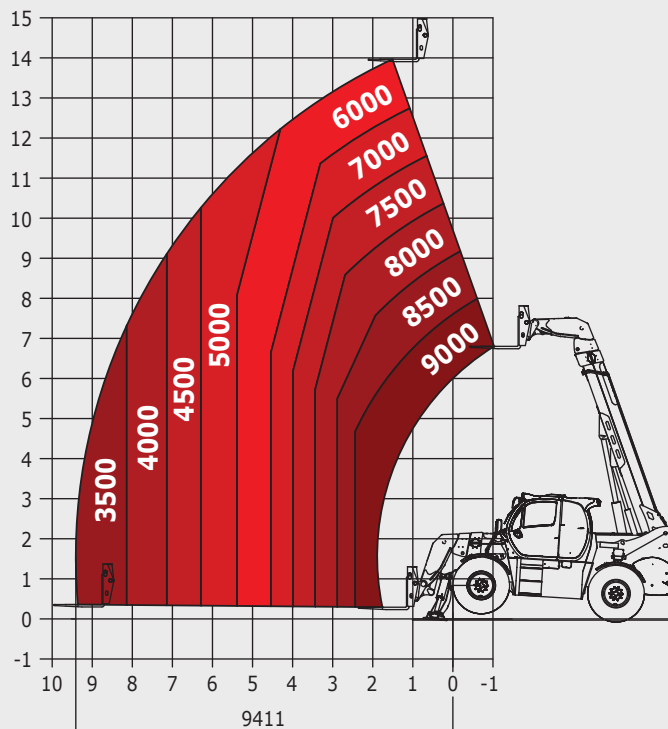
Rough terrain load chart

standard EN1459 B

Machine on tyres with forks 600 mm CDG Forks



Machine on stabilizers with forks 600 mm CDG Forks



This brochure describes versions and configuration options for MANITOU products which may be fitted with different equipment. The equipment described in this brochure may be standard, optional or not available depending on version. MANITOU reserves the right to change the specifications shown and described at any time and without prior warning. The manufacturer is not liable for the specifications given. For more information, contact your MANITOU dealer. Non-contractual document. Product descriptions may differ from actual products. List of specifications is not comprehensive. The logos and visual identity of the company are the property of MANITOU and may not be used without authorisation. All rights reserved. The photos and diagrams contained in this brochure are provided for information only.

MANITOU BF SA - Limited company with board of directors - Share capital: 39,547,824 euros - 857 802 508 RCS Nantes



Your nearest **MANITOU** dealer:



Head office:
B.P. 249 - 430 rue de l'Aubinière - 44158 Ancenis Cedex - France
Tel: 00 33 (0)2 40 09 10 11 - Fax: 00 33 (0)2 40 09 10 97
www.manitou.com